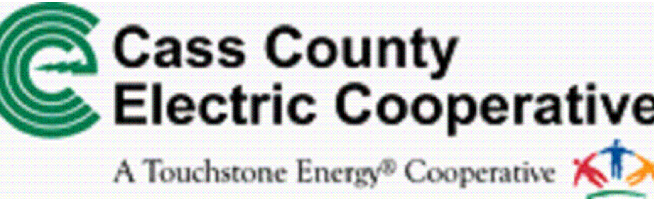
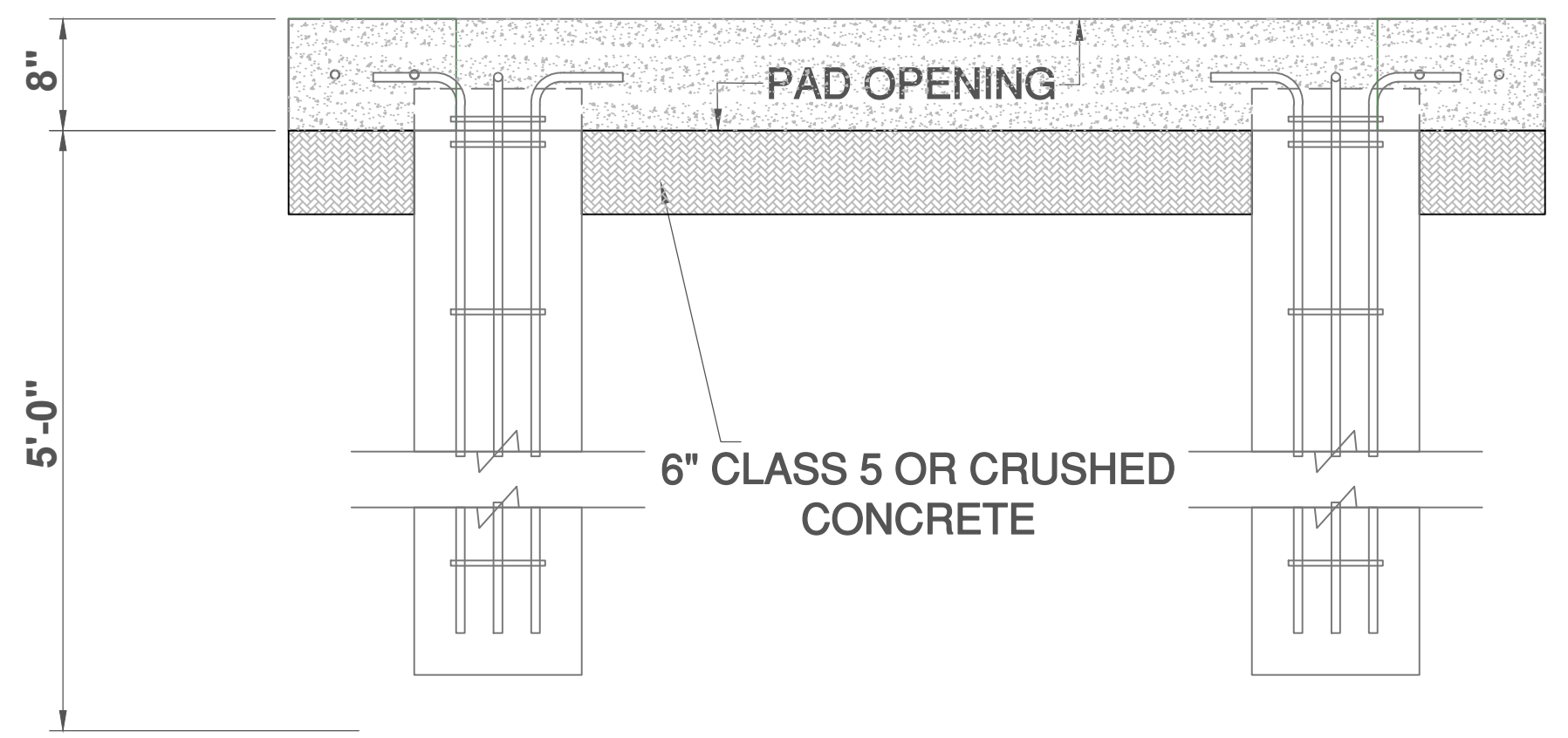


TRANSFORMER PAD FARGO, ND

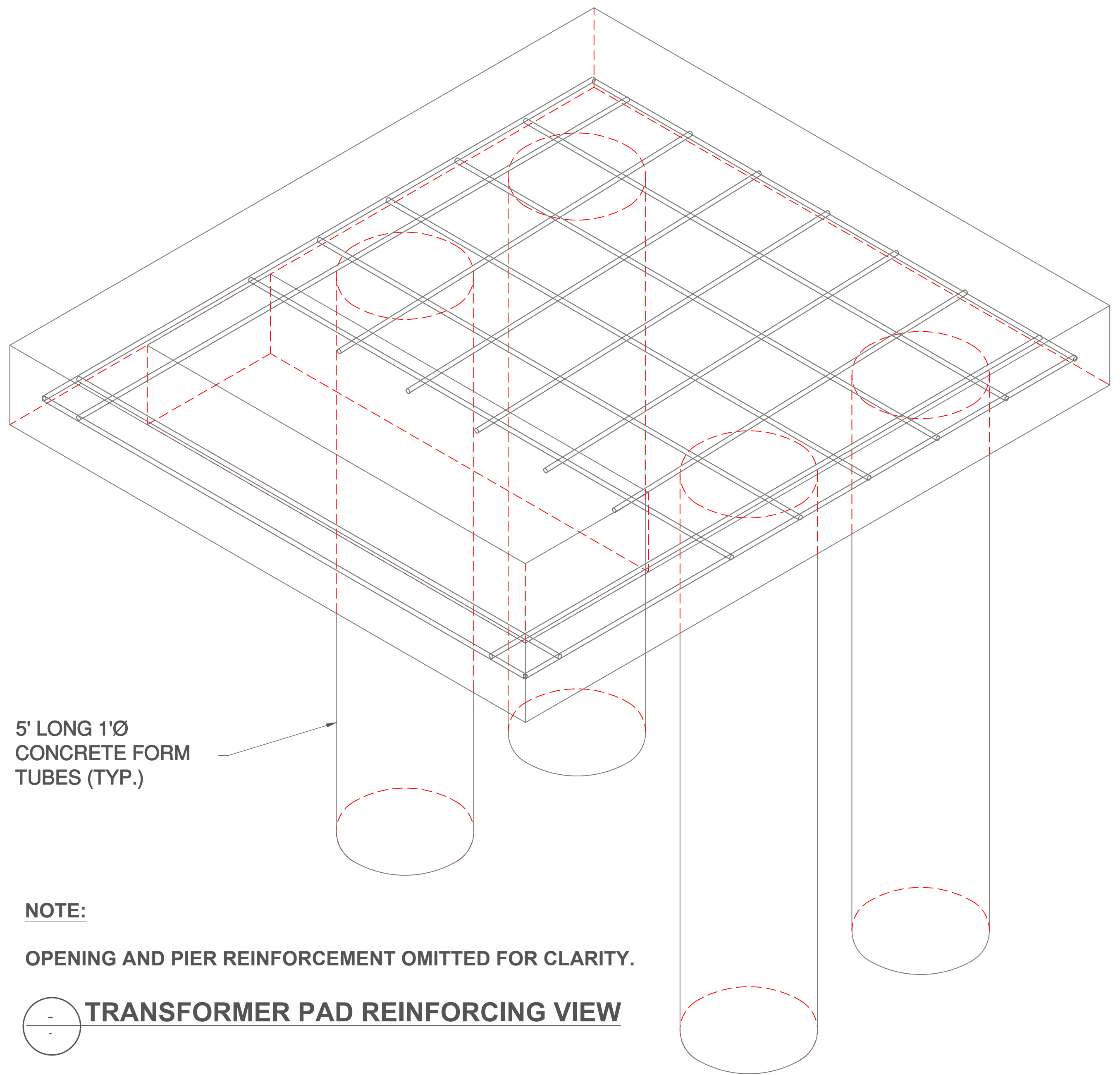
REV.	DATE	DESCRIPTION	BY
0	06/06/2025	ISSUED FOR CONSTRUCTION	



CASS COUNTY ELECTRIC COOPERATIVE
FARGO, ND

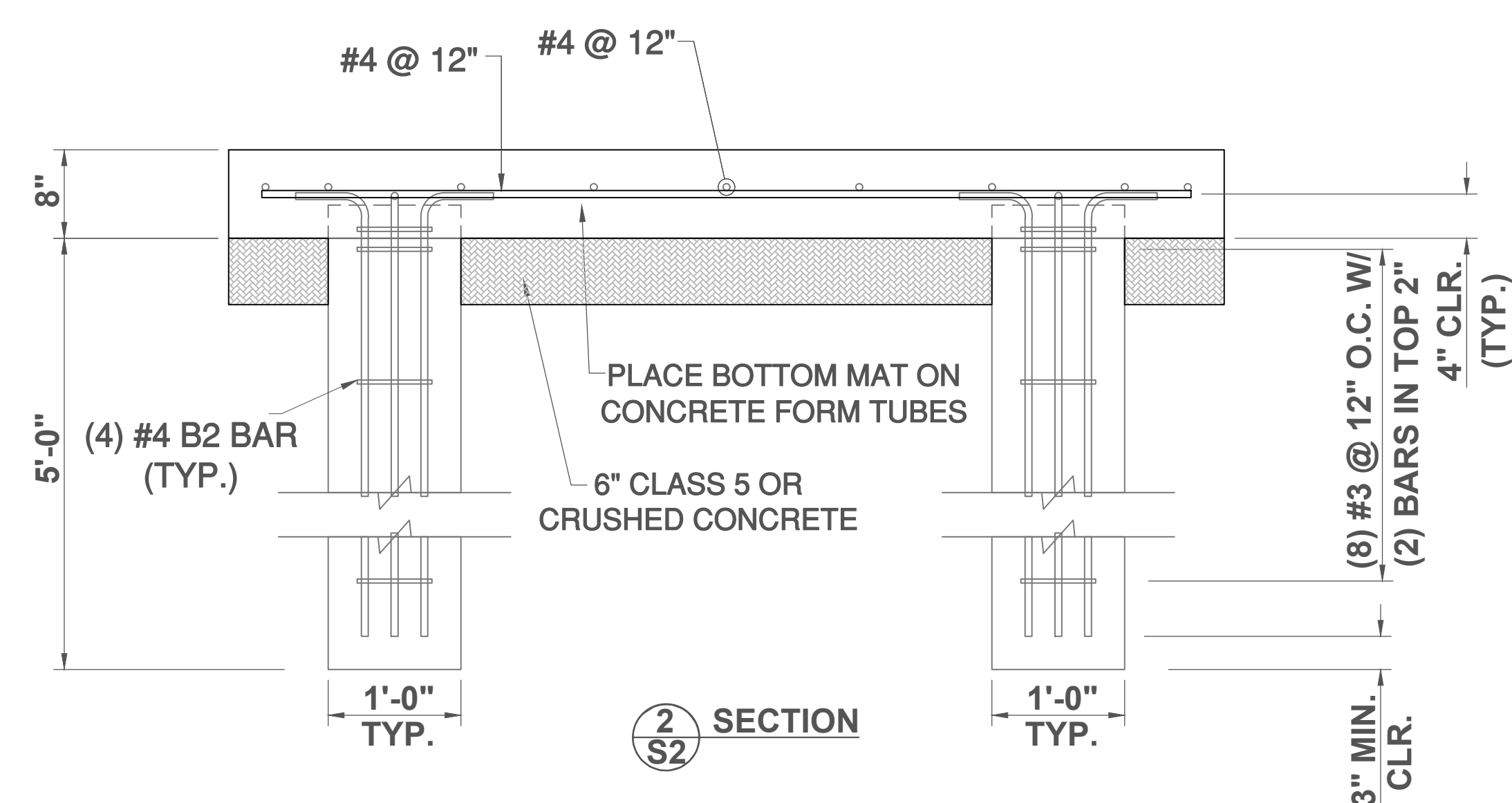


1 SECTION
S2

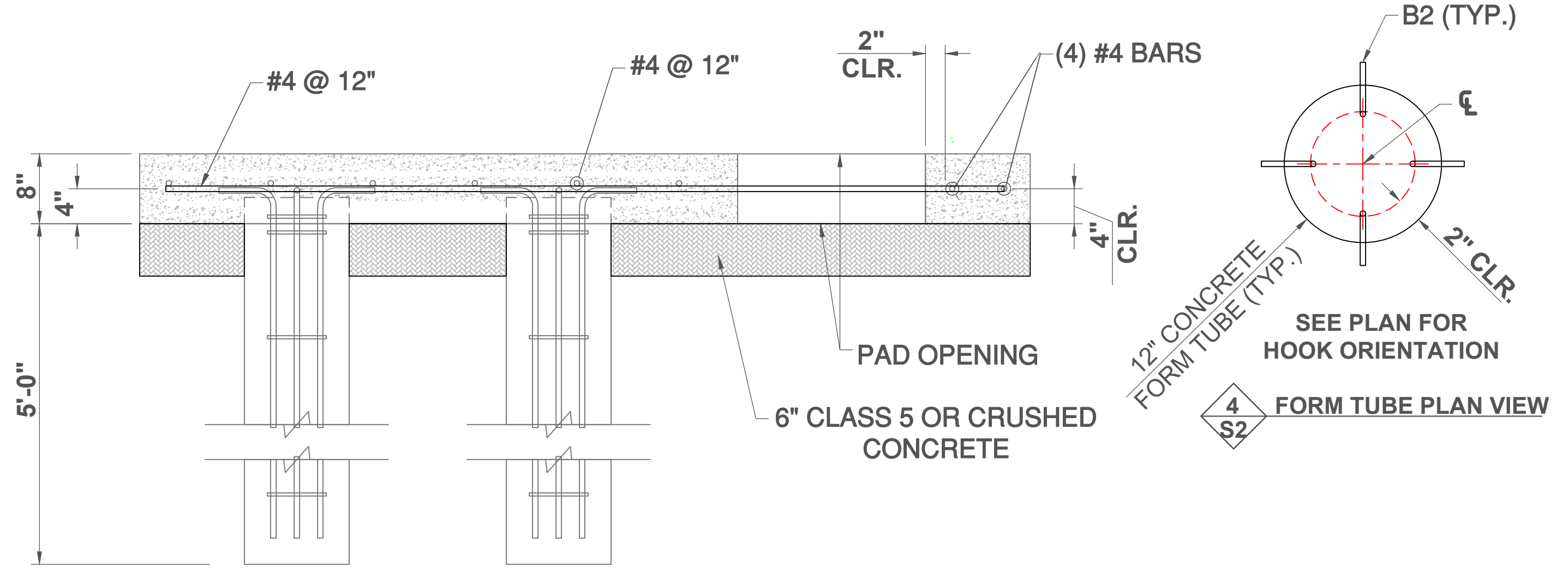


NOTE:
OPENING AND PIER REINFORCEMENT OMITTED FOR CLARITY.

TRANSFORMER PAD REINFORCING VIEW



2 SECTION
S2



3 SECTION
S2

ISSUED FOR CONSTRUCTION

DESIGN BY: TK
DRAWN BY: NWL

THREE PHASE
TRANSFORMER CONCRETE
PAD ASSEMBLY S2
(45-2000 KVA)